

Xtraflo 170mm/110mm Rainwater System BS EN 1329-1: 2000 (Downpipes & fittings)

BS EN 607:2004 (Gutters & fittings)

BS EN 1462:2004 (Eaves brackets)

- A semi-elliptical profile designed to enhance water flow.
- Vortex outlet designed to promote a vacuum effect to increase the flow rate.
- A practical, easy to install system.
- High flow capacity.
- Pre-fitted gutter seal for fast user friendly installation.
- Ideal for large domestic/commercial buildings/warehouses/offices/apartment blocks and schools.
- Utilises our 110mm soil system for downpipes.

Colours

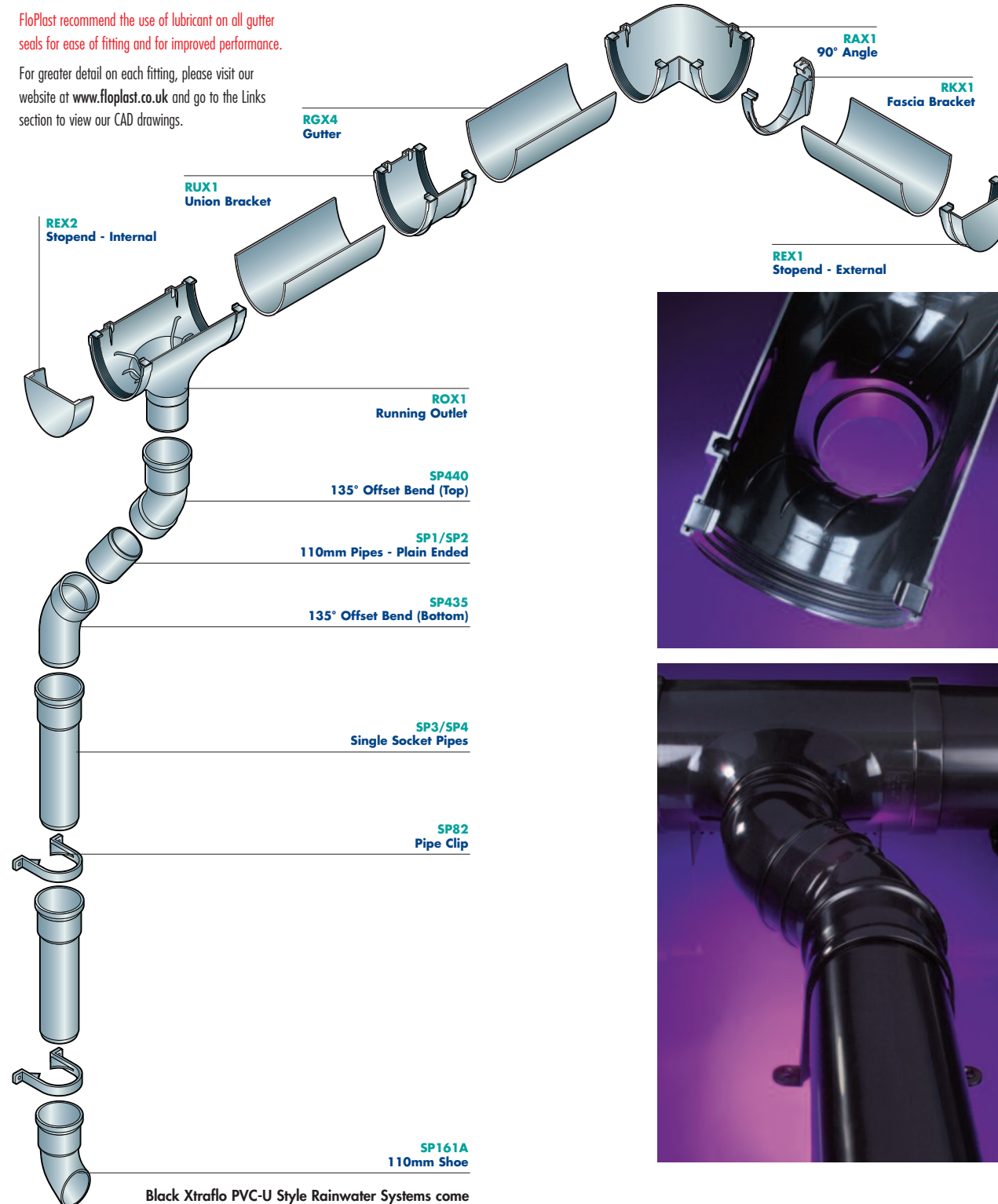


Dimensions (mm)



FloPlast recommend the use of lubricant on all gutter seals for ease of fitting and for improved performance.

For greater detail on each fitting, please visit our website at www.floplast.co.uk and go to the Links section to view our CAD drawings.



Black Xtraflo PVC-U Style Rainwater Systems come with a 10 year performance & colour guarantee.

Product Guide

170mm Gutter & Fittings

Gutter	CODE RGX4
90° Angle	CODE RAX1
Stopend - External	CODE REX1
Stopend - Internal	CODE REX2
Fascia Bracket	CODE RFX1
Running Outlet	CODE ROX1
Union Bracket	CODE RUX1
Top Rafter Bracket	CODE RR5
Side Rafter Bracket	CODE RR6
Spares/Ancillaries	CODE SL400

400ml Silicone Lubricant SL400 Spray

Gutter and pipe code reference numbers refer to length of run: 1 metre, 2 metres and 4 metres.

For any additional downpipe/ fittings not featured, please refer to our Above Ground Push Fit Soil range

110mm Pipe & Fittings

Pipes - Plain Ended	CODE SP1 SP2
Pipes - Single Socket	CODE SP3 SP4
Shoe	CODE SP161A
Pipe Clip	CODE SP82
Offset Bends	CODE SP440 SP435
Pipe Branch	CODE SP190
Access Fittings	CODE SP169 SP274
Hopper - 110mm	CODE RHX1

