

Single Flap Non-Return Valve

EN 13564 EN 1455



D550

At the end of 2013/beginning of 2014, the UK witnessed severe storms and persistent flooding, leading to the wettest December to February period since records began in 1767.

Climate change is continuously increasing the risk of extreme weather to our planet. By making small but significant changes to our drainage systems, we can help to protect our properties.

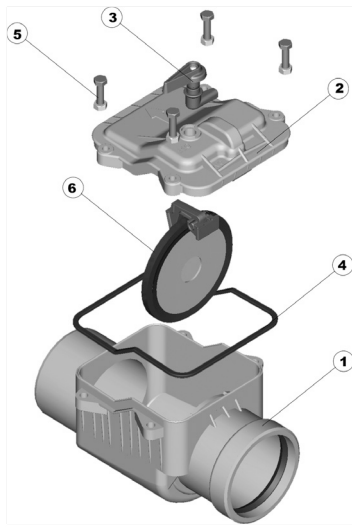
Fitting a non-return valve within your drainage system has some great advantages:

- When used in conjunction with FloPlast's StormSaver Rainwater Harvesting Systems, the installation will conform with **BS 8515:2009**.
- **Prevents access of rodents** to your house through sewage points (without faeces).
- Helps to **protect your house** from flooding.
- **Back water prevention** using a flap, forcing closure of the pipe when back flow occurs.
- **Odour prevention** using an automatic and emergency shut off mechanism for the flap.
- **Legal security**, as many insurance companies will not be liable if the house does not have flood prevention measures in place.
- **Thermal stability** and **chemical resistant**.
- **Quick and easy accessibility** for checks and maintenance by simply unbolting the top lid.

**CALL NOW 01795 421422 AND SPEAK TO OUR
SALES DEPARTMENT FOR MORE INFORMATION.**

Single Flap Non-Return Valve

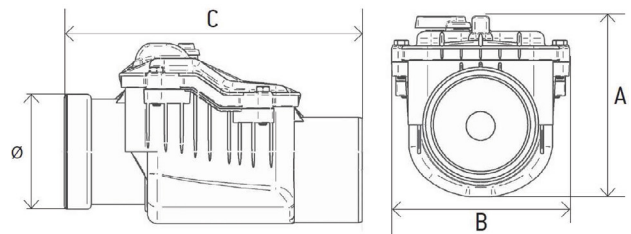
Technical Information



1. Valve body
2. Lid
3. Flap lock
4. Flange gasket
5. Mounting screws
6. Return flap

Dimensions

Product	A	B	C	Weight
D550	200	190	310	1.42



Installation Instructions

Non-Return Valves should be used for Rainwater & Greywater not containing faeces.

1. The valve should be installed in places where sanitary fixtures are installed below the maximum emergency sewage level in an external sewage system. The valve should be installed in visible, easily accessible places. **Do not cover it with concrete.**
2. In order to keep the connections between pipes and the valve tight, care should be taken to make sure that both the gasket and the space under the gasket are free of any impurities (e.g. sand).
3. It is recommended that the gasket should be lubricated with silicone lubricant allowing pipes to be easily connected with the non return valve.

Cleaning Instructions

1. Unscrew the screws (5) and fully remove.
2. Remove the lid (2).
3. Remove the return flap.
4. Clean the valve removing any impurities.
5. After cleaning, insert the flap (6).
6. Before putting on the lid, clean and replace the gasket or replace with a new one (4). Put the lid (2) on the body (1).
7. Insert the screws into the holes in the lid (2). Tighten the screws until gentle resistance is felt and they are fully secure.

**CALL NOW 01795 421422 AND SPEAK TO OUR
SALES DEPARTMENT FOR MORE INFORMATION.**