

FloPlast
building the future

PVC-UE Cladding Systems



PVC-UE Roofline,
Window &
Cladding Systems

Rainwater
Systems

Soil & Waste
Systems

Underground
Drainage Systems

MDPE
Systems

Hot & Cold
Plumbing Systems

The **FloPlast** PVC-UE Cladding Systems are suitable for external use on buildings as a decorative and protective facing, fixed vertically, horizontally or diagonally over both brick, block, masonry and timber framed walling. When installed correctly this will reduce thermal loss by providing an additional external barrier.

Available in two designs (**Shiplap** and **Open Vee**) resembling existing timber profiles. The weather tight joint provided prevents penetration from the elements.

The systems are completed with a range of trims to suit all applications.

The tough and durable finish has a high impact strength and a weather resistant skin which requires little maintenance to retain its excellent appearance.

PVC Cladding Systems has been assessed and given an A+ rating, which allows the specifier/housebuilder to claim the code for sustainable homes maximum of three points when using PVC cladding on an external wall system.



WOODGRAIN PVC-UE CLADDING SYSTEMS (C)








Golden Oak (WG)









Black Ash (WB)

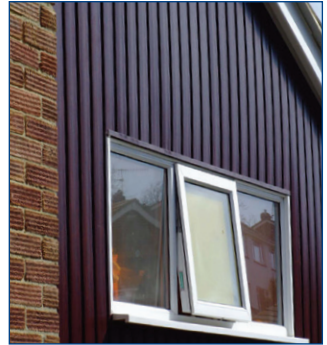


Rosewood (WR)

Product	Code
150mm Shiplap Cladding:	
	C150
100mm V Joint Cladding:	
	C100
Top Edge Trim (two part):	
	CT1
Starter trim:	
	CT2
Universal Channel:	
	CT3

Product	Code
Drip Trim:	
	CT4
Internal/External Corner (two part):	
 (external corner foiled)	CT5
 (Internal corner foiled)	CT6
Centre Joint Trim:	
	CT7
150mm Butt Joint Trim:	
	CT8





Product	Code
Clad Pins - box (250):	
	CP30 (30mm) CP50 (50mm)




All boards and trims are manufactured in 5 metre lengths unless otherwise stated

WHITE PVC-UE CLADDING SYSTEMS (C)

Product	Code
150mm Shiplap Cladding:	
	C150
100mm V Joint Cladding:	
	C100
Top Edge Trim (two part):	
	CT1
Starter Trim:	
	CT2
Universal Channel:	
	CT3

Product	Code
Drip Trim:	
	CT4
Internal/External Corner (two part):	
	CT5
Centre Joint Trim:	
	CT7
150mm Butt Joint Trim:	
	CT8

Product	Code
Clad Pins - box (250):	
	CP30 (30mm) CP50 (50mm)



All boards and trims are manufactured in 5 metre lengths unless otherwise stated

FloPlast

building the future

FloPlast Limited
 Castle Road
 Eurolink Business Park
 Sittingbourne
 Kent ME10 3FP
 UK

Tel: 01795 431731
 Sales Office Direct Line:
 01795 421422

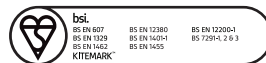
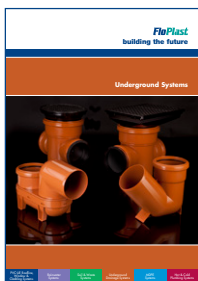
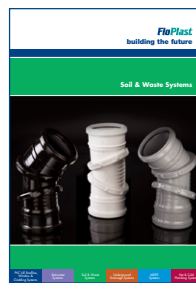
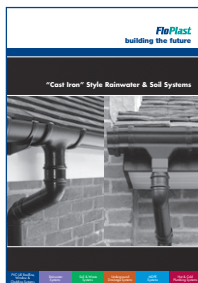
Fax:
 01795 431188

E-mail:
 sales@floplast.co.uk

Website:
 www.floplast.co.uk



Other systems available:



www.floplast.co.uk

PVC-UE Roofline,
 Window &
 Cladding Systems

Rainwater
 Systems

Soil & Waste
 Systems

Underground
 Drainage Systems

MDPE
 Systems

Hot & Cold
 Plumbing Systems